

CONCEPTUAL SIDEWALK LAYOUT

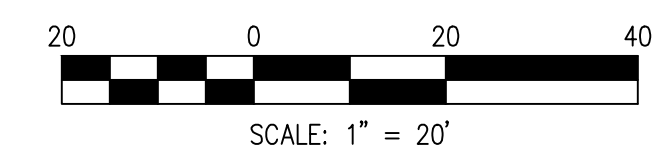
75TH STREET

SPRINGMILL TO MERIDIAN

PREPARED BY:



TRANSPORTATION & DEVELOPMENT CONSULTANTS
 3417 SHERMAN DRIVE
 BEECH GROVE, IN 46107
 (317) 780-1555
 CROSSROADENGINEERS.COM
 FEBRUARY 9, 2021

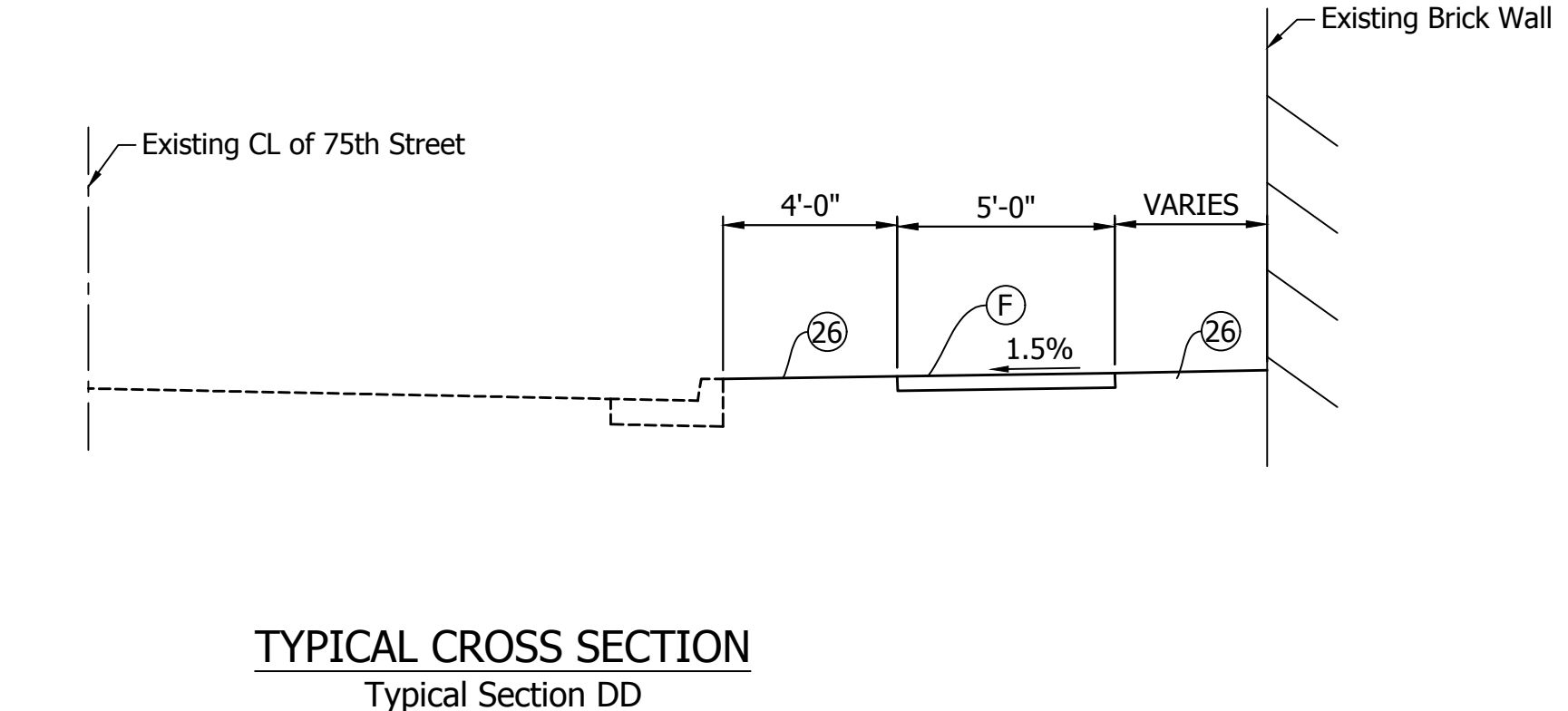
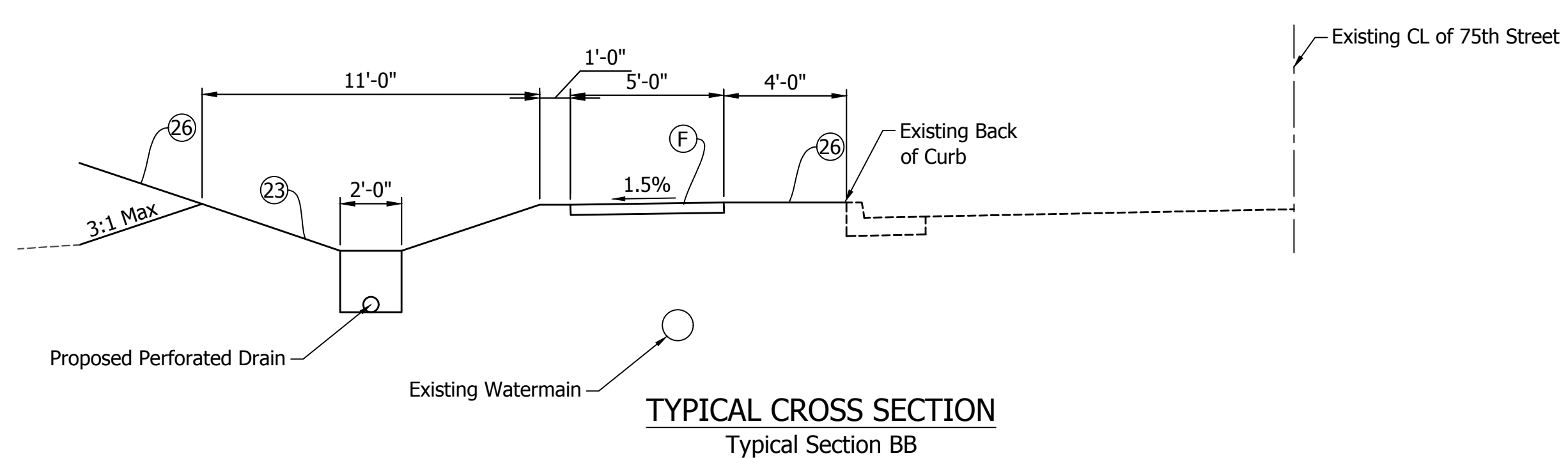
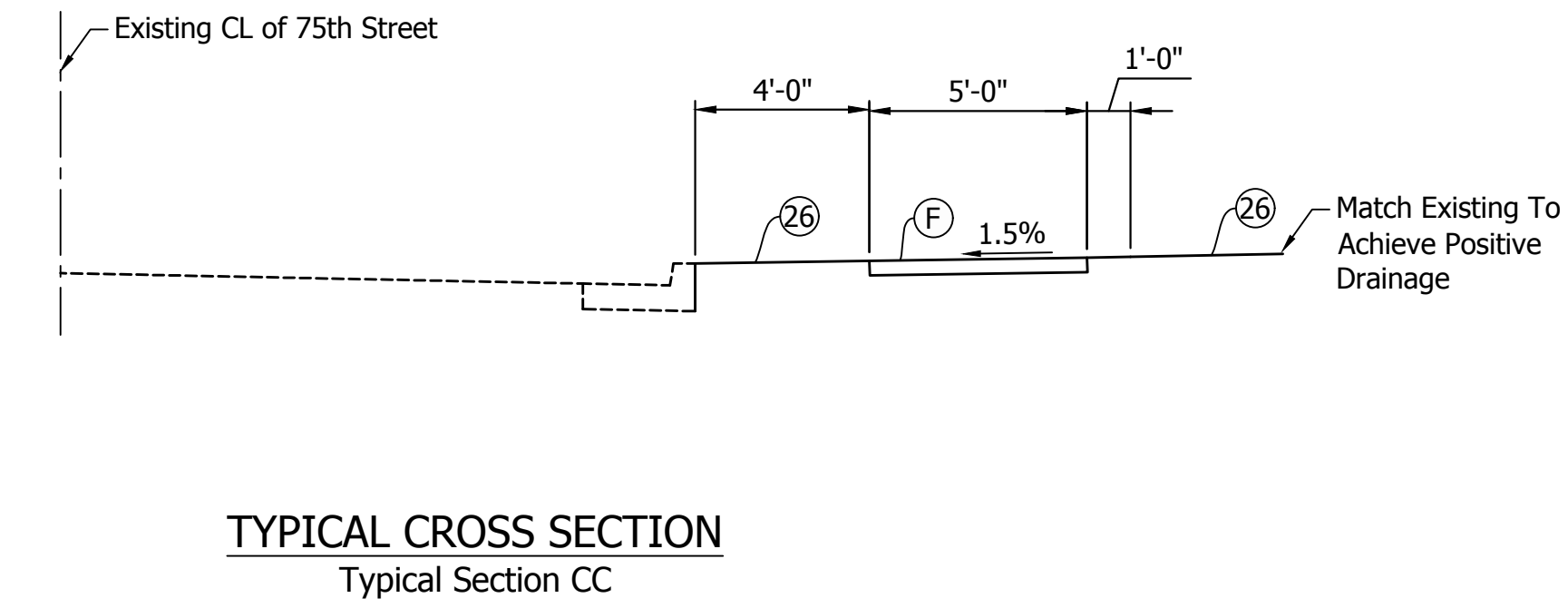
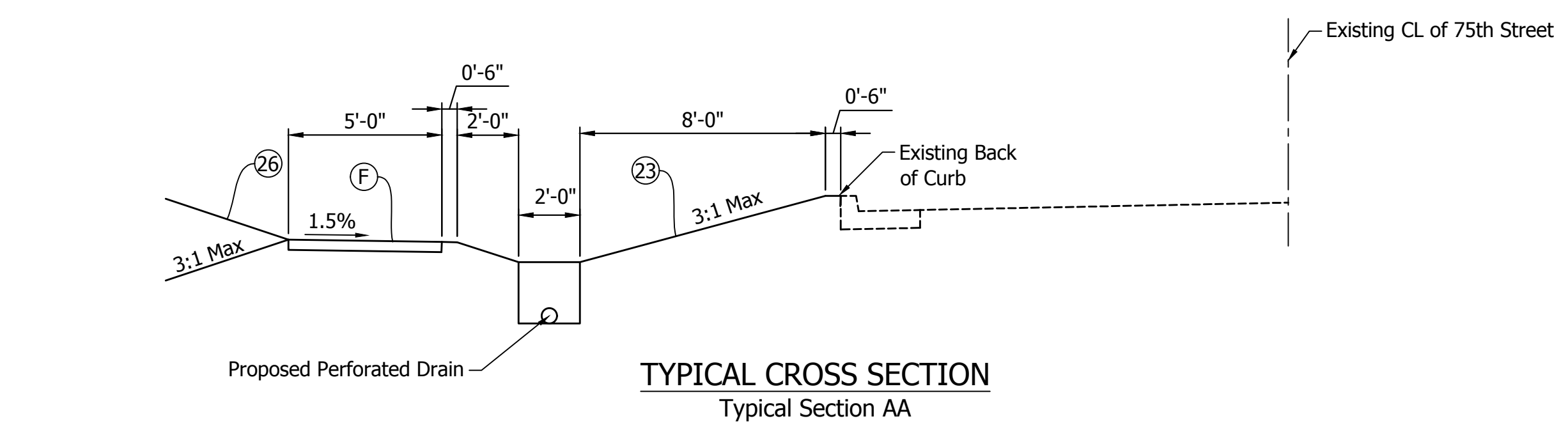


EXISTING LEGEND	
POWERPOLE	CONTOURS
POWERPOLE W/ RISER	PROPERTY LINE
POWERPOLE W/ LIGHT	SECTION LINE
LIGHT POLE	RIGHT-OF-WAY
ELECTRIC METER	PAVEMENT LINE
GUIDE WIRE	PRIVACY FENCE
WATER VALVE	CHAINLINK FENCE
FIRE HYDRANT	DITCH
WATER METER	GAS LINE
GAS VALVE	TELEPHONE LINE
CLEANOUT	WATER LINE
SIGN	ELECTRIC LINE
MAILBOX	OVERHEAD UTILITY LINE
STORM ROUND INLET	TREE LINE
STORM CURB INLET	SANITARY SEWER W/MANHOLE
RIGHT-OF-WAY MARKER	STORM SEWER W/MANHOLE & END SECTION
TREE, BUSH & STUMP	

PROPOSED LEGEND	
HYBRID DITCH LINE W/ PERF. PIPE	
STORM SEWER W/ INLET	
SIGN	
PROPOSED SIDEWALK	



MATCH LINE - SEE SHEET 1



- LEGEND**
- (F) Concrete Sidewalk, 4"
 - (23) Hybrid Ditch w/ Wet Tolerant Native Seeding.
 - (26) Sodding / Mulched Seeding